



Exceptor[®]
Door Blocking System

Mounting instruction

Version 1709

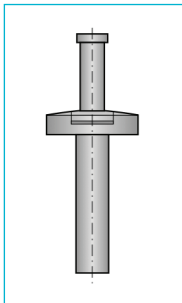
Exceptor B.V.

+31 85 303 0886
www.exceptor.eu
info@exceptor.eu

Exceptor® Door Blocking System

- prevents home invasion
- burglary prevention
- Secures your inward-opening door (front-, back- and patio door)
- offers time to call for help
- for a safe and secure feeling

Box contents



- Mounting instruction
(please read before mounting)
- 1x Exceptor®
- 1x door catch (4,0x30 mm)
- 3x Cross-head screws (4,0x35 mm)
- 2x 6 mm plugs

Picture 1 - Exceptor®

Exceptor® Door Blocking System

SKG quality requirements according to SKG-KE 573 standard
Patent has been granted



Picture 2



Picture 3

Introduction

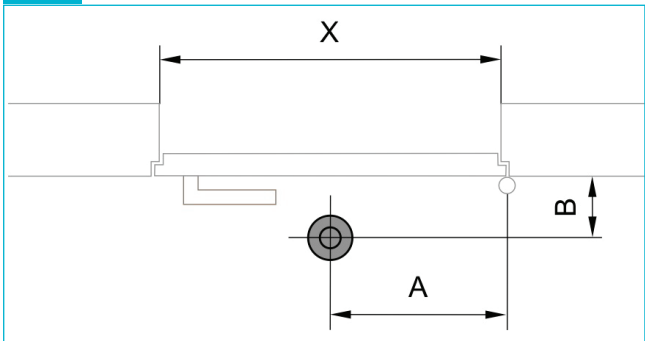
| | |
|---------------------------------------|---|
| I. Positioning Exceptor® | 5 |
| II. Door opening | 5 |
| III. Door – floor height | 6 |
| IV. Positioning of the release button | 6 |
| V. Necessary tools | 7 |

Installation

| | |
|--|----|
| A. Stone subfloor Exceptor® loose mounting or: | 8 |
| A1. Fix by gluing | 9 |
| A2. Fix by screwing | 9 |
| B. Wooden subfloor | 11 |
| B2. Always fix with screws, if possible thicken on the underside of the wooden surface | 13 |
| C. Optional in case of a floor mat: flush mount Exceptor® in the mat in the same position as the mounting position Exceptor (see below drawing I) with recess of \varnothing 58 mm | |
| D. Activate Exceptor and place the door catch on the blocking pin. Open the door and mark the position for the catch on the door. Mount the catch. | |

I

Positioning Exceptor



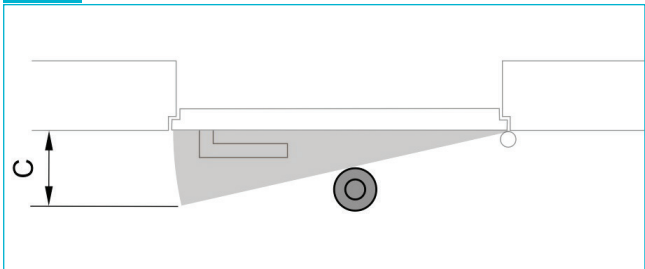
Picture 4 - Recommendation SKG

$$A = X - 425 \text{ mm}$$

$$B = 70 \text{ mm}$$

II

Door opening in secure position

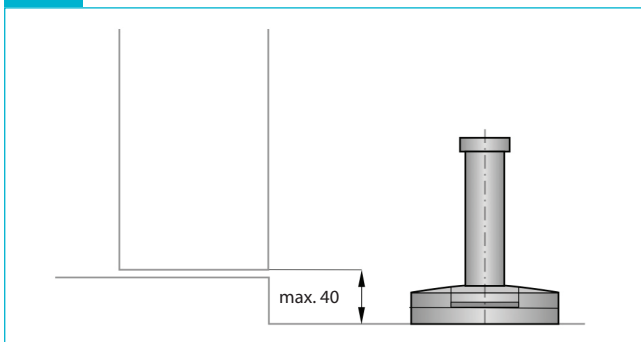


Picture 5 - Recommendation SKG

$$C = > 50 \text{ mm} - \text{max.}70 \text{ mm}$$

III

Door - floor height

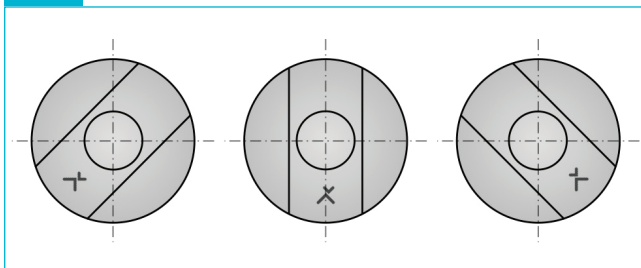


Picture 6

Space to underside of the door max. 40 mm

IV

Positioning the release button



Picture 7

Mounting release button (Exceptor® logo) to your own preference


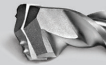











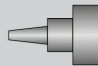
V

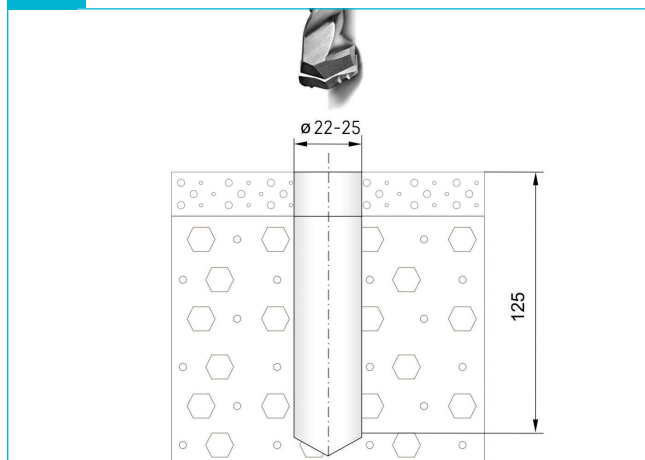
Necessary tools

A1 Stone + glue

A2 Stone + screws

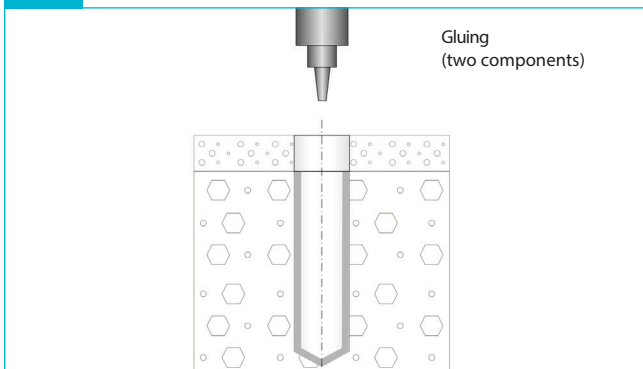
B2 Wood + screws

| A1 | A2 | B2 | Tools |
|----|----|----|--|
| | | | \varnothing 22-25   |
| | | | \varnothing 22   |
| | | | \varnothing 6   |
| | | | \varnothing 6   |
| | | |   |
| | | |  $\times 2$   |
| | | | 2 components  |

A**Stone***Picture 8*

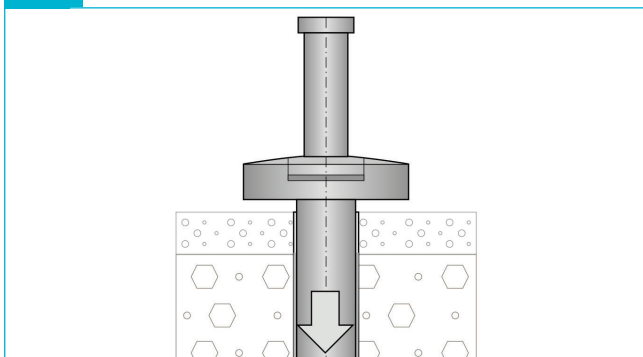
Exceptor® can also be mounted loose in a stone subfloor
Please use the drill size as indicated in A on page 7.

A 1.1 Stone + glue



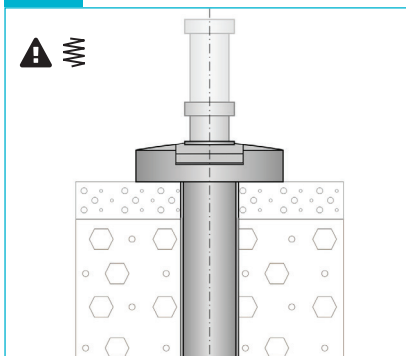
Picture 9

A 1.2 Stone + glue



Picture 10

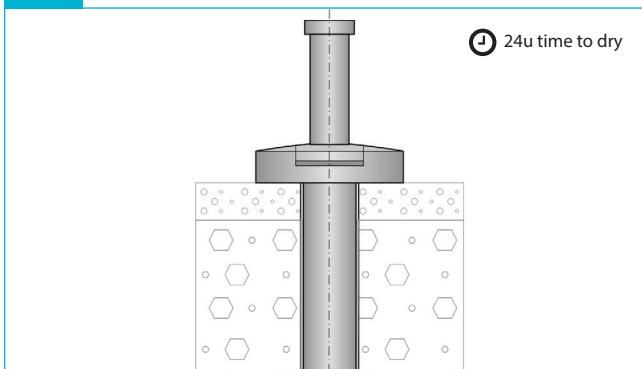
A 1.3 Stone + glue



Push the blocking pin back with your foot.

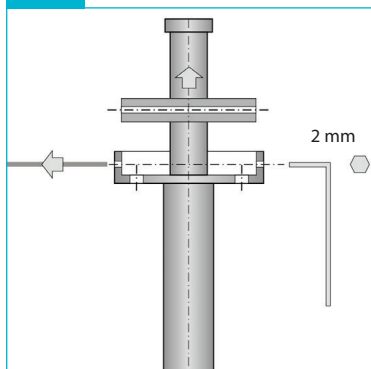
Picture 11

A 1.4 Stone + glue



Picture 12

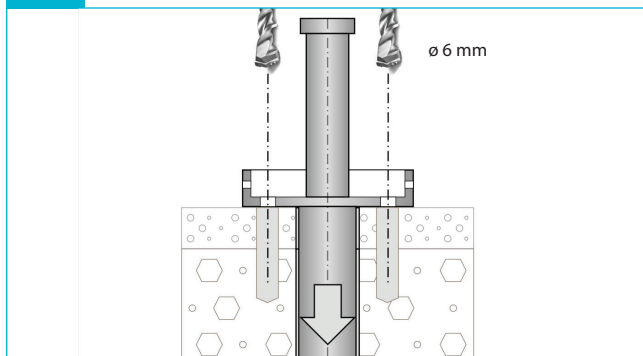
A+
A 2.1



Press your foot on the release button (Exceptor®) to release the blocking pin
Remove the release button

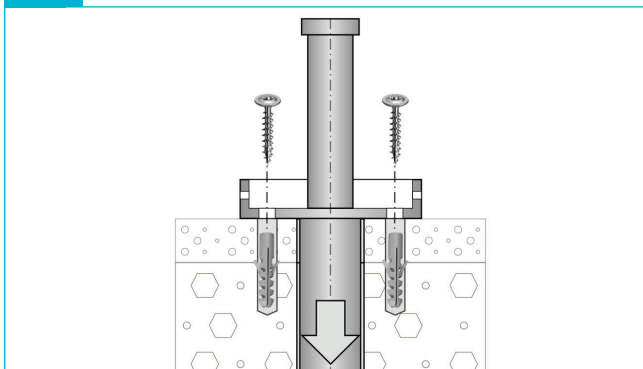
Picture13

A 2.2 Stone + screws



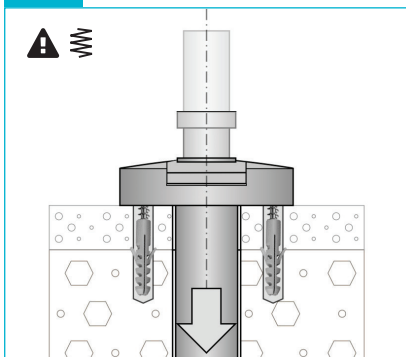
Picture 14

A 2.3 Stone + screws



Picture 15

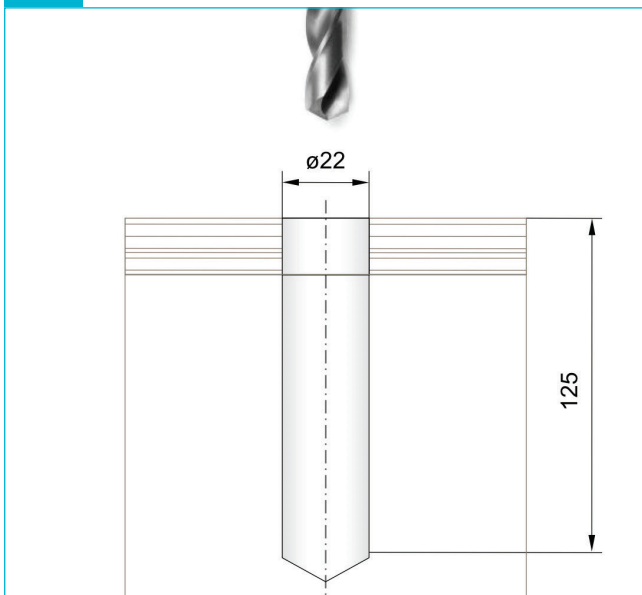
A 2.4



Push the blocking pin back with your foot

Picture 16

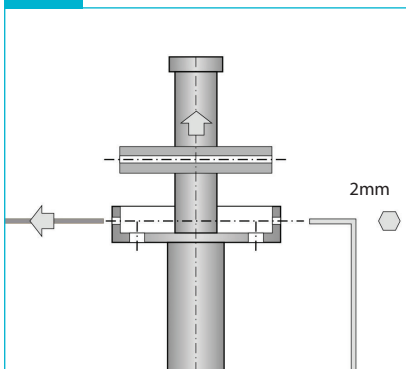
B 2.1 Wood + screws



Picture 17

If possible thicken the wooden subfloor on the underside.

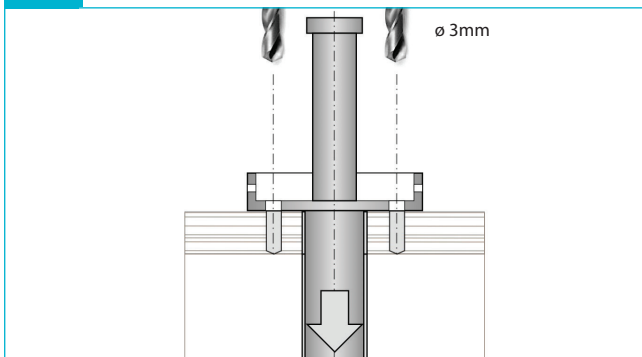
B 2.2 Wood + screws



Press your foot on the release button (Exceptor®) to release the blocking pin
Remove the release button

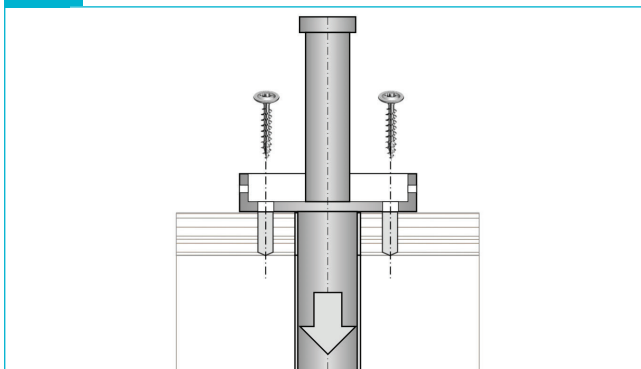
Picture 18

B 2.3 Wood + screws



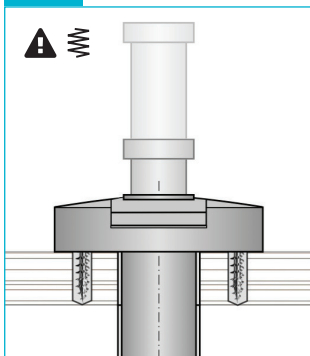
Picture 19

B 2.4



Picture 18

B 2.5 Wood + screws



Push the blocking pin back with your foot.

Picture 19

Exceptor® It is made of high-quality stainless steel AISI 303.

Maintenance Instructions

Use a damp cloth for maintenance. If necessary, dry the blocking pin

Warning

Exceptor® is not to be used as a extra security lock

When drilling: watch out for floor pipes

Product blocking pin is under tension, danger for injury

Be carefull with small children, pets and tripping

Disclaimer

Dulimex B.V. cannot be held liable for the application

of the product in a way other than its intended purpose

Dulimex B.V. is not liable for damages to doors

